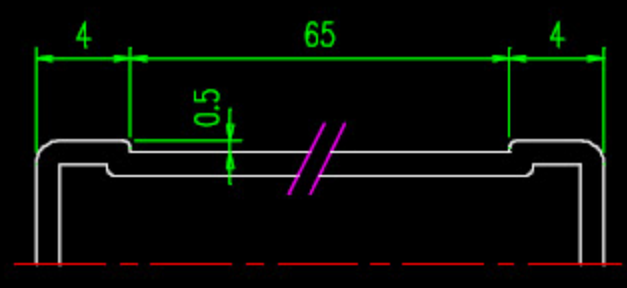
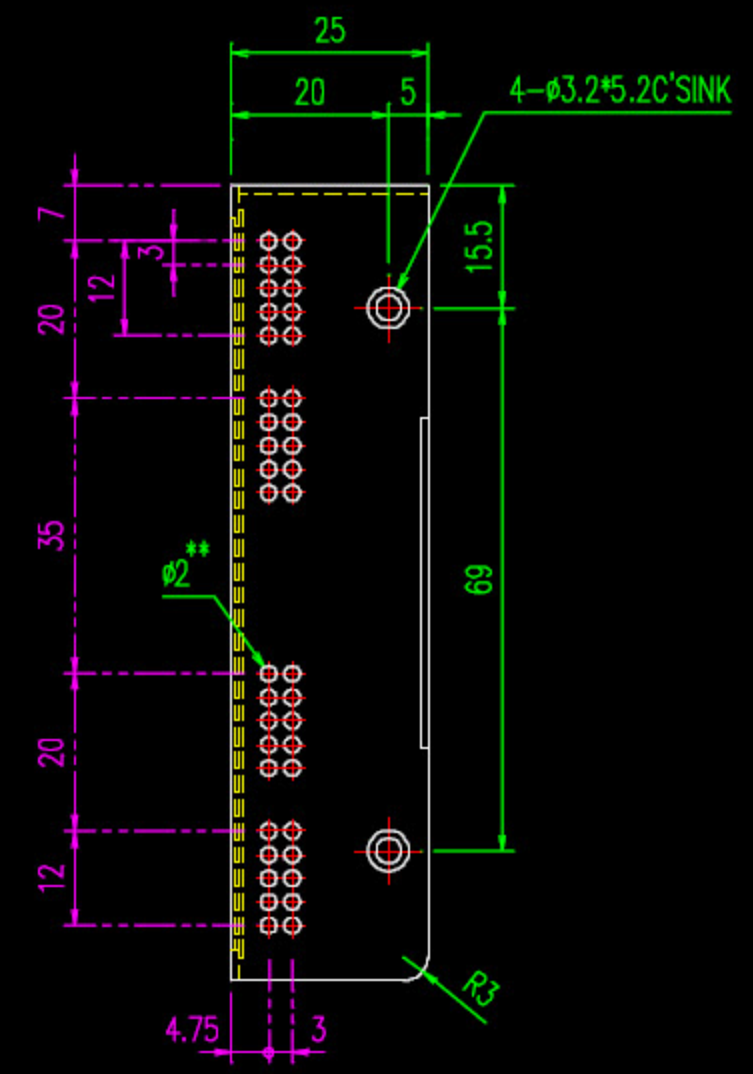
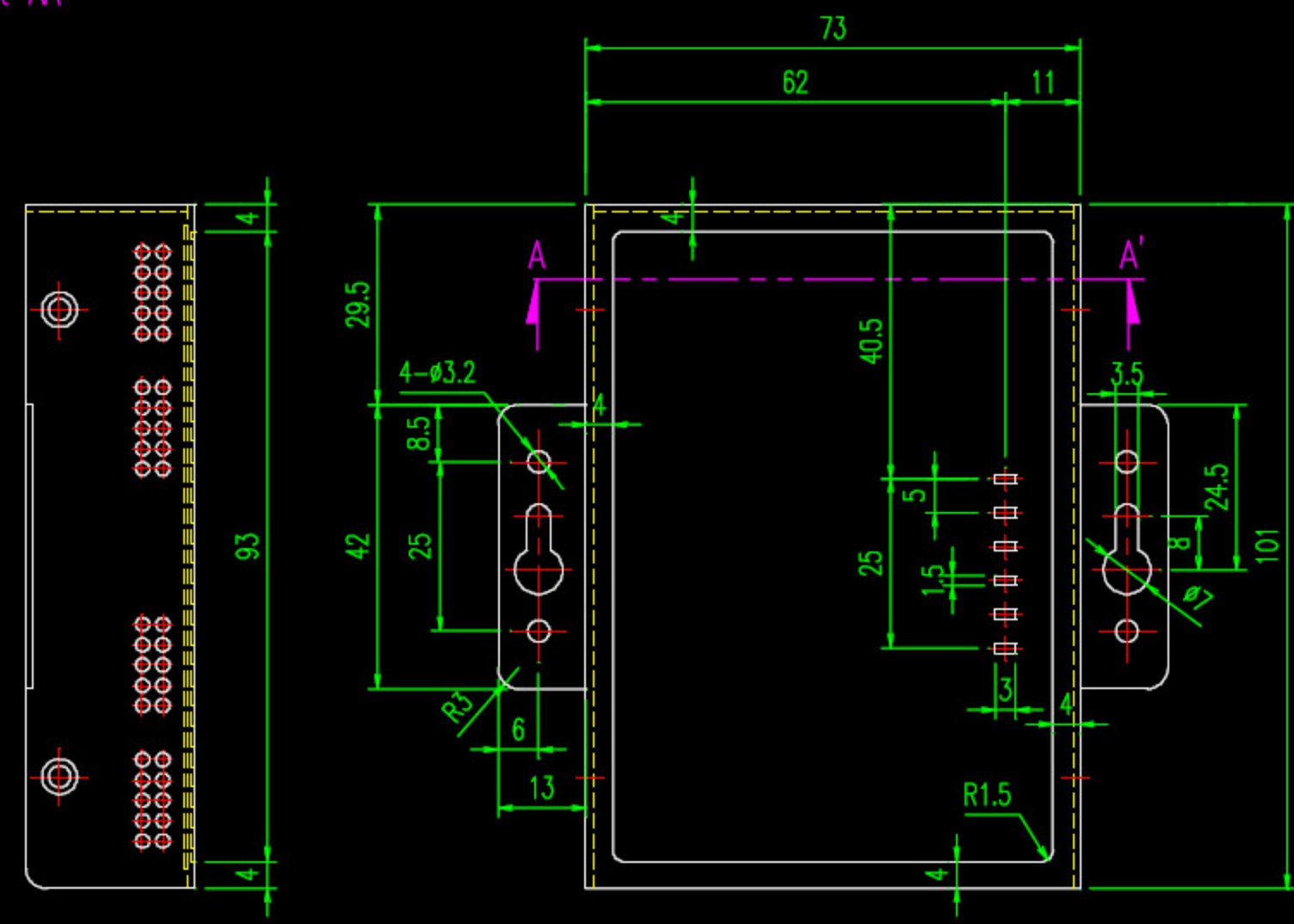
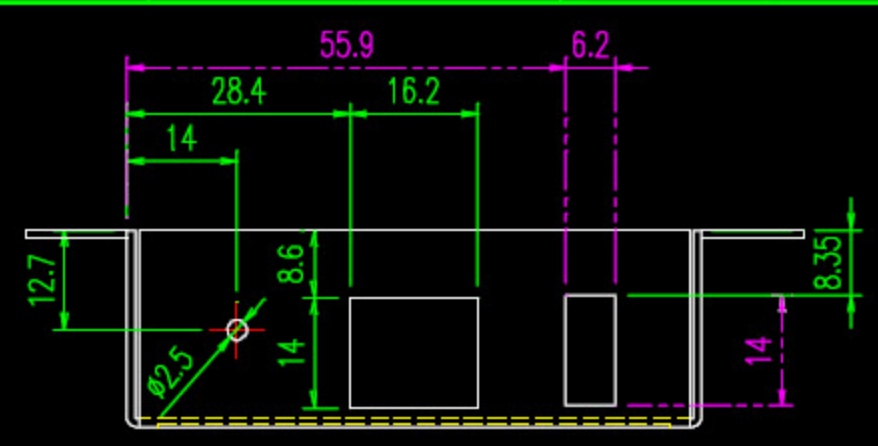


FILE NAME :

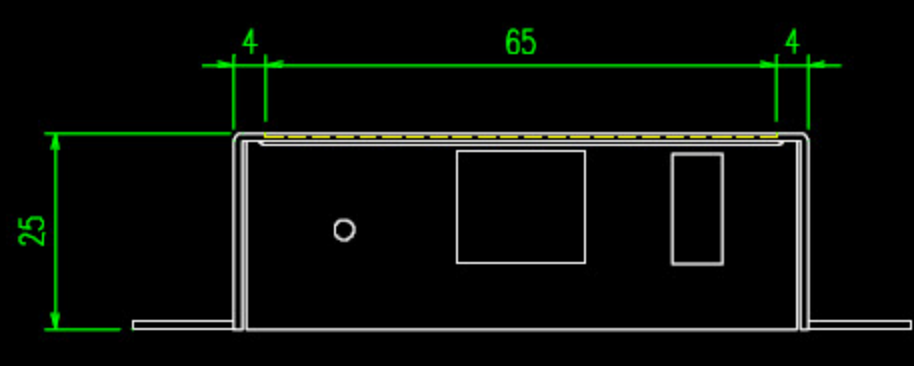
REVISIONS				
ZONE	REV	DESCRIPTION	DATE	APPROVED
△				
△				



Sect AA'



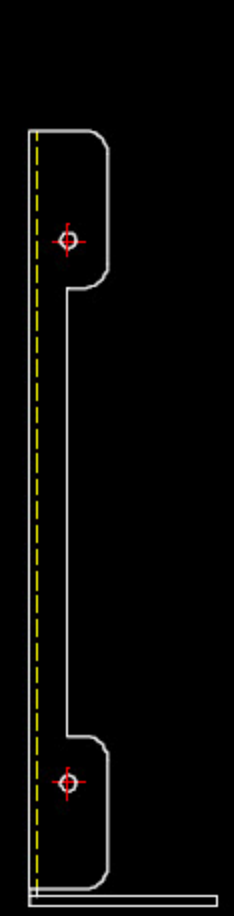
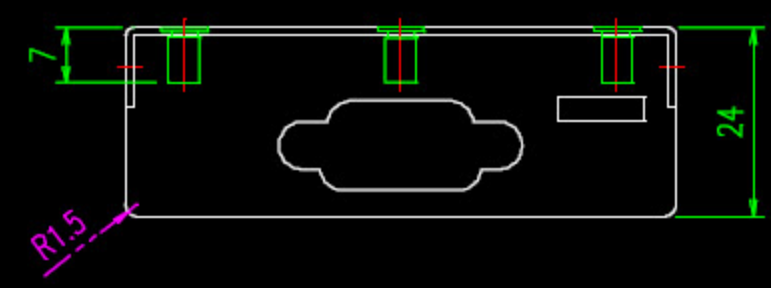
- * N O T E.
1. GENERAL TOLERANCE $\pm 0.25-0.35$.
 2. ALL SURFACES SHALL BE BURR FREE, REMOVE ALL SHARP EDGES.
 3. FINISH : BLACK PAINTING.
 4. MATERIAL : EGI , 1t.



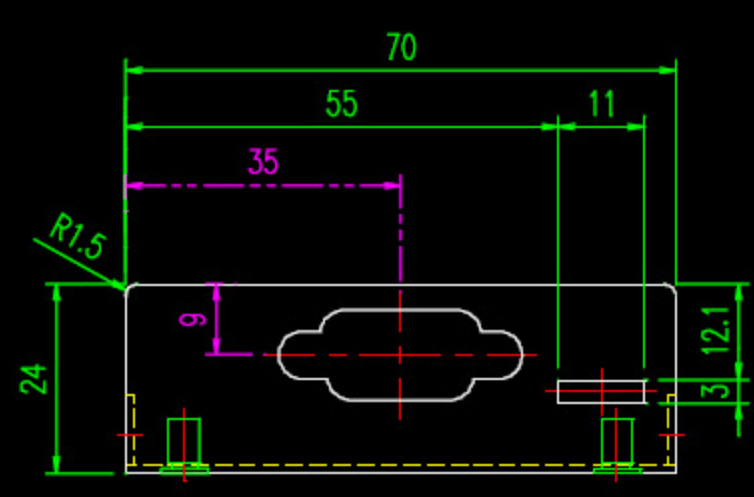
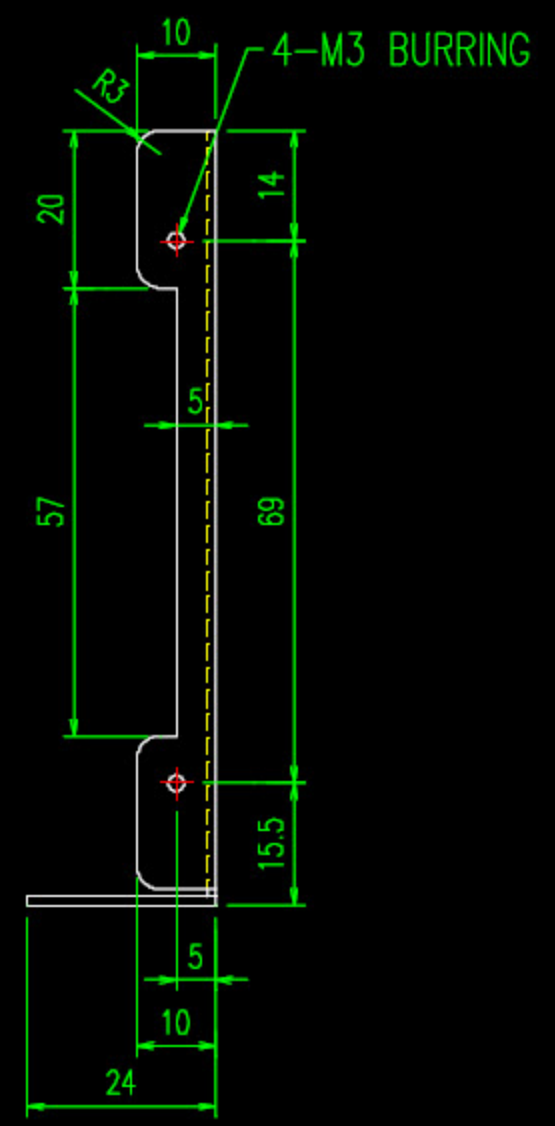
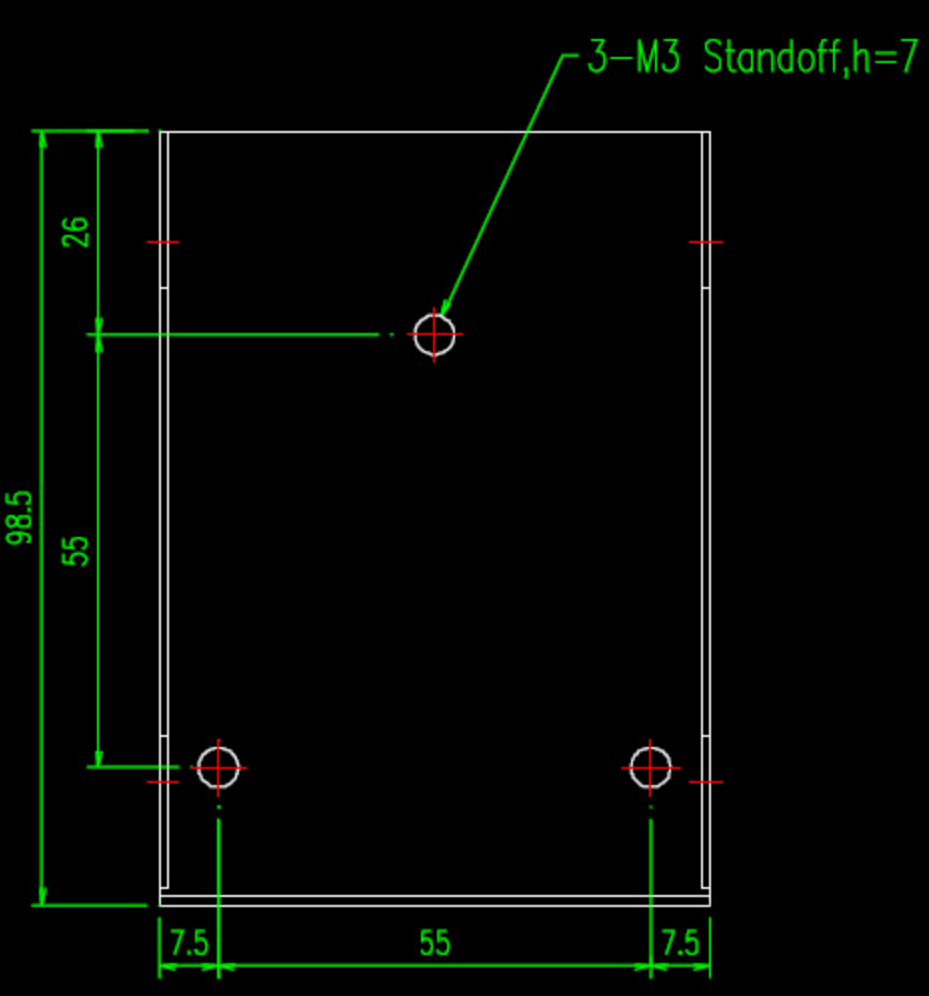
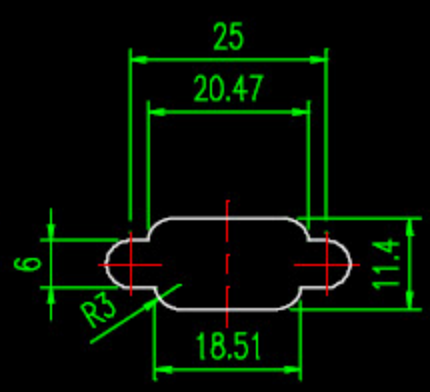
DIMENSIONS ; (UNIT : mm) TOLERANCES DECIMALS ANGULAR XXX ± .05 ± 0.5° XXX ± .010	SCALE :	Date :	DWG Name :
	Q'ty	Drawn :	{도 명} TOP COVER(LS100)
	Checked :	DWG No :	LS100_01
		SIZE	SHEET
		A3	CODE No :

FILE NAME :

REVISIONS				
ZONE	REV	DESCRIPTION	DATE	APPROVED
△				
△				



*9PIN CONNECTOR.



- * N O T E.
1. GENERAL TOLERANCE $\pm 0.25-0.35$.
 2. ALL SURFACES SHALL BE BURR FREE, REMOVE ALL SHARP EDGES.
 3. FINISH : BLACK PAINTING.
 4. MATERIAL : EGI , 1t.

DIMENSIONS ; (UNIT : mm) TOLERANCES DECIMALS ANGULAR XXX ± .05 ± 0.5° XXX ± .010	SCALE :	Date :	DWG Name :
	Q'ty	Drawn :	{도 명} BOTTOM BASE(LS100)
	Checked :	DWG No :	LS100_02
		SIZE	SHEET
		A3	CODE No :